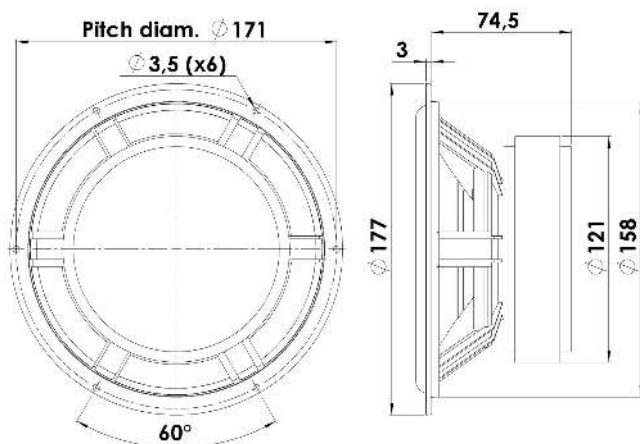




MIDWOOFER

18W/8545-01

This unit is an improved version of the highly praised 18W/8545-00 midwoofer, where a new aluminum chassis, an updated cone and a new spider as well as a few other details are introduced, these updates improve mechanical stability and sound performance. High-quality magnet system design with patented Symmetric Drive (SD-1) continues to be a key feature.



KEY FEATURES:

- Patented Symmetrical Drive Motor Design
- 42mm Voice Coil w. Alu foil
- Low Damping SBR Rubber Surround
- Coated Air Dried Paper/Carbon Fibre Cone
- Low-Loss linear suspension
- Aluminium Chassis

T-S Parameters

Resonance frequency [fs]	25 Hz
Mechanical Q factor [Qms]	1.55
Electrical Q factor [Qes]	0.22
Total Q factor [Qts]	0.20
Force factor [Bl]	8.4 Tm
Mechanical resistance [Rms]	1.8 kg/s
Moving mass [Mms]	18 g
Suspension compliance [Cms]	2.3 mm/N
Effective diaph. diameter [D]	136 mm
Effective piston area [Sd]	145 cm ²
Equivalent volume [Vas]	68.6 l
Sensitivity (2.83V/1m)	88 dB
Ratio Bl/√Re	3.53 N/√W
Ratio fs/Qts	125 Hz

Notes:

IEC specs. refer to IEC 60268-5 third edition.
All Scan-Speak products are RoHS compliant.
Data are subject to change without notice.
Datasheet updated: January 4, 2012.

Electrical Data

Nominal impedance [Zn]	8 Ω
Minimum impedance [Zmin]	6.2 Ω
Maximum impedance [Zo]	45 Ω
DC resistance [Re]	5.7 Ω
Voice coil inductance [Le]	0.39 mH

Power Handling

100h RMS noise test (IEC 17.1)	100 W
Long-term max power (IEC 17.3)	- W

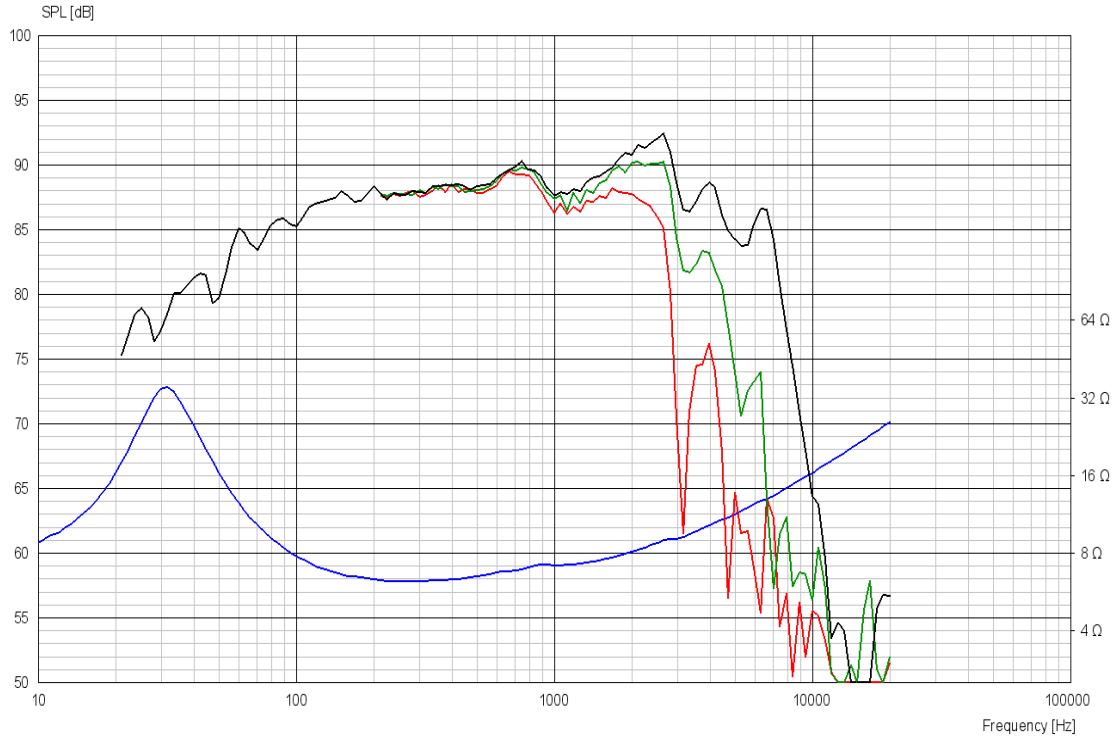
Voice Coil and Magnet Data

Voice coil diameter	42 mm
Voice coil height	19 mm
Voice coil layers	2
Height of gap	6 mm
Linear excursion	± 6.5 mm
Max mech. excursion	± 10 mm
Unit weight	2.3 kg

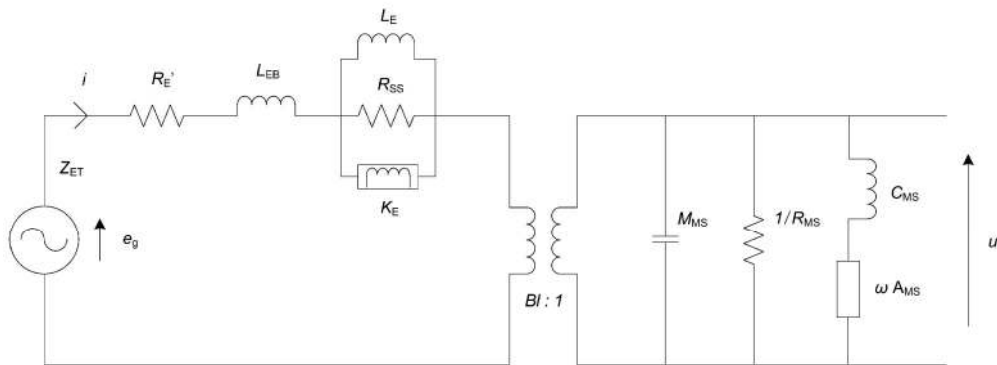


MIDWOOFER

18W/8545-01



Advanced Parameters (Preliminary)



Electrical data

Resistance [Re']	5.92 Ω
Free inductance [L _b]	0.107 mH
Bound inductance [L _e]	0.819 mH
Semi-inductance [K _e]	0.0343 SH
Shunt resistance [R _{ss}]	14093 Ω

Mechanical Data

Force Factor [BI]	7.0 Tm
Moving mass [M _{ms}]	18 g
Compliance [C _{ms}]	2.05 mm/N
Mechanical resistance [R _{ms}]	1.26 kg/s
Admittance [A _{ms}]	0.241 mm/N