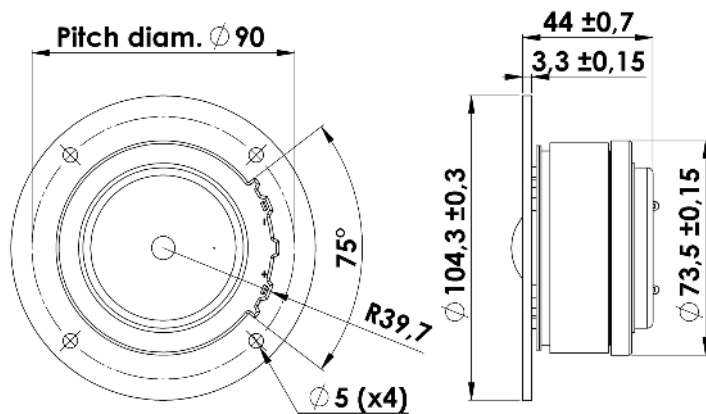




TWEETER

D2905/950000

The Classic tweeters are among the many highly praised designs in Classic series. They have enjoyed success over 3 decades. And still among the best tweeters available. The D2905/9000 tweeter kick-started a new era with a line of very high quality 1" tweeters, today known as -9300, -9500, -9700 and -9800. Despite their many years on the market still used in many top High-End speakers around the world.



KEY FEATURES:

- 1" Textile Dome Diaphragm
- Ferro Fluid
- Low Resonance Rear Chamber
- Black Painted Alu Face Plate

T-S Parameters

| | |
|-------------------------------|---------------------|
| Resonance frequency [fs] | 550 Hz |
| Mechanical Q factor [Qms] | 1.04 |
| Electrical Q factor [Qes] | 0.60 |
| Total Q factor [Qts] | 0.38 |
| Force factor [Bl] | 3.5 Tm |
| Mechanical resistance [Rms] | 1.50 kg/s |
| Moving mass [Mms] | 0.45 g |
| Compliance [Cms] | 0.19 mm/N |
| Effective diaph. diameter [D] | 33 mm |
| Effective piston area [Sd] | 8.5 cm ² |
| Equivalent volume [Vas] | 0.02 l |
| Sensitivity (2.83V/1m) | 90 dB |
| Ratio Bl/ \sqrt{Re} | 1.61 N/ \sqrt{W} |
| Ratio fs/Qts | 1452 Hz |

Notes:

IEC specs. refer to IEC 60268-5 third edition.
All Scan-Speak products are RoHS compliant.
Data are subject to change without notice.
Datasheet updated: February 17, 2016.

Electrical Data

| | |
|----------------------------|---------------|
| Nominal impedance [Zn] | 6 Ω |
| Minimum impedance [Zmin] | 5.5 Ω |
| Maximum impedance [Zo] | 12.9 Ω |
| DC resistance [Re] | 4.7 Ω |
| Voice coil inductance [Le] | 0.07 mH |

Power Handling

| | |
|---------------------------------|-------|
| 100h RMS noise test (IEC 17.1)* | 150 W |
| Long-term max power (IEC 17.3)* | 460 W |

*Filter: 2. order HP Butterworth, 2.5 kHz

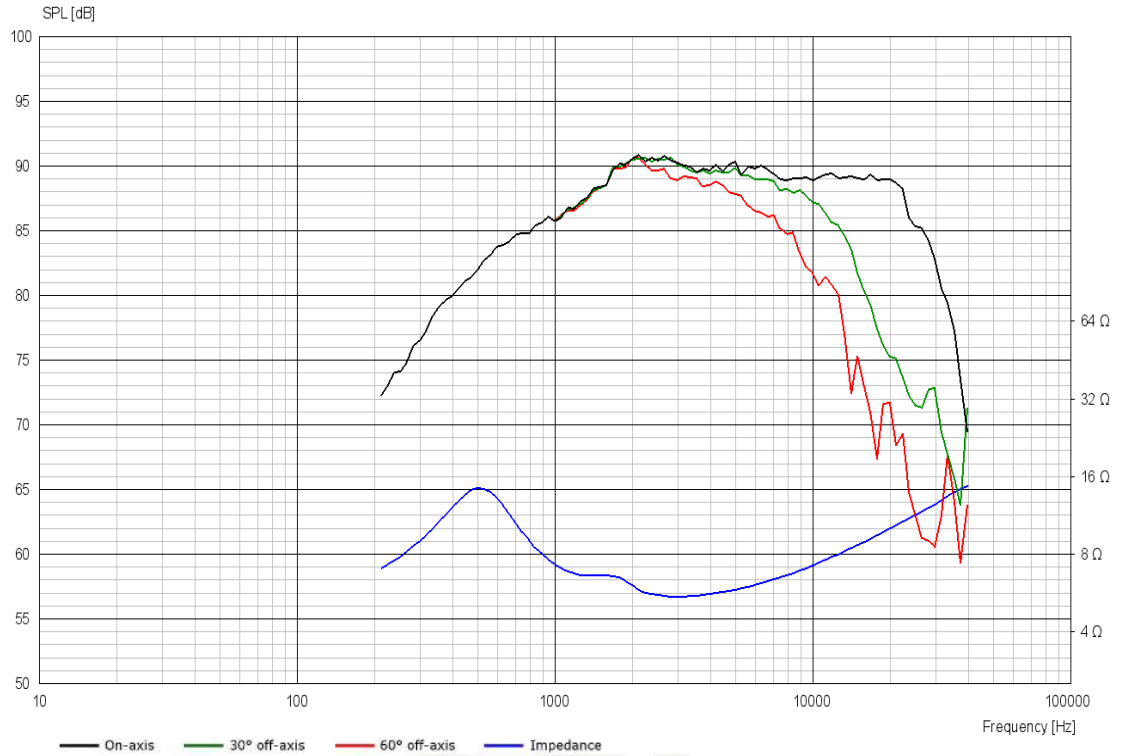
Voice Coil & Magnet Data

| | |
|---------------------|--------------|
| Voice coil diameter | 28 mm |
| Voice coil height | 3.3 mm |
| Voice coil layers | 2 |
| Height of gap | 2.5 mm |
| Linear excursion | ± 0.4 mm |
| Max mech. excursion | ± 1.5 mm |
| Unit weight | 0.7 kg |

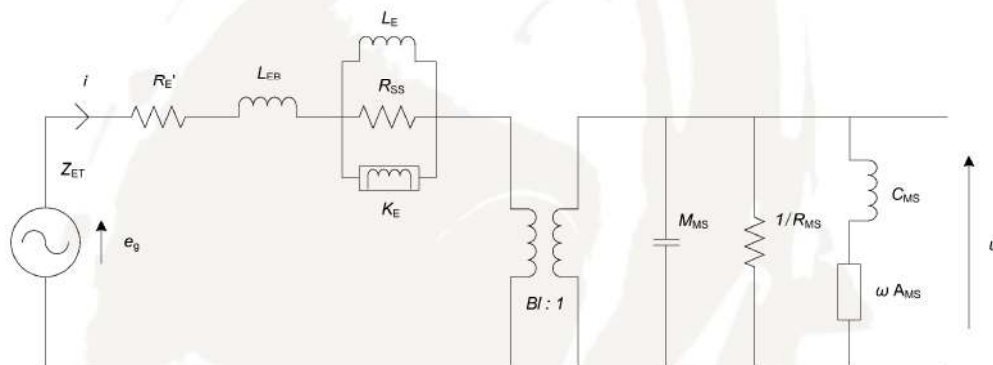


TWEETER

D2905/950000



Advanced Parameters (Preliminary)



Electrical data

| | |
|-------------------------------|------------|
| Resistance [$R_{E'}$] | - Ω |
| Free inductance [L_{EB}] | - mH |
| Bound inductance [L_E] | - mH |
| Semi-inductance [K_E] | - SH |
| Shunt resistance [R_{SS}] | - Ω |

Mechanical Data

| | |
|------------------------------------|--------|
| Force Factor [BI] | - Tm |
| Moving mass [M_{MS}] | - g |
| Compliance [C_{MS}] | - mm/N |
| Mechanical resistance [R_{MS}] | - kg/s |
| Admittance [A_{MS}] | - mm/N |