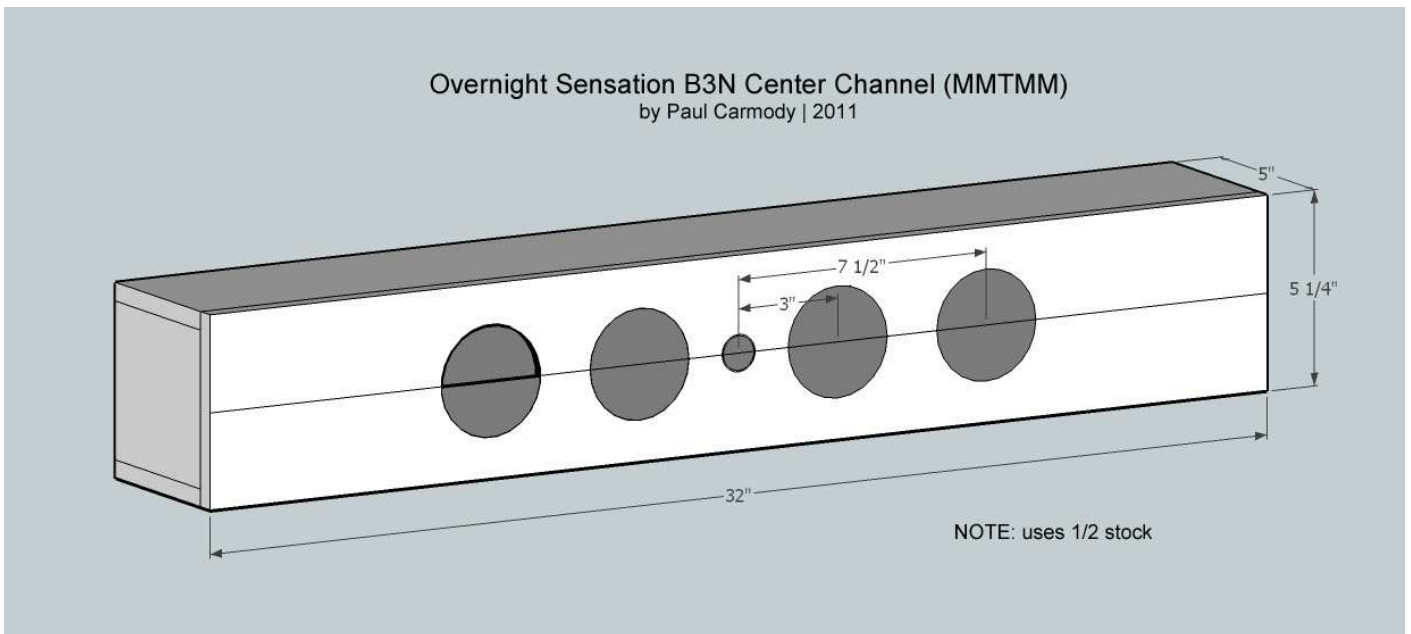


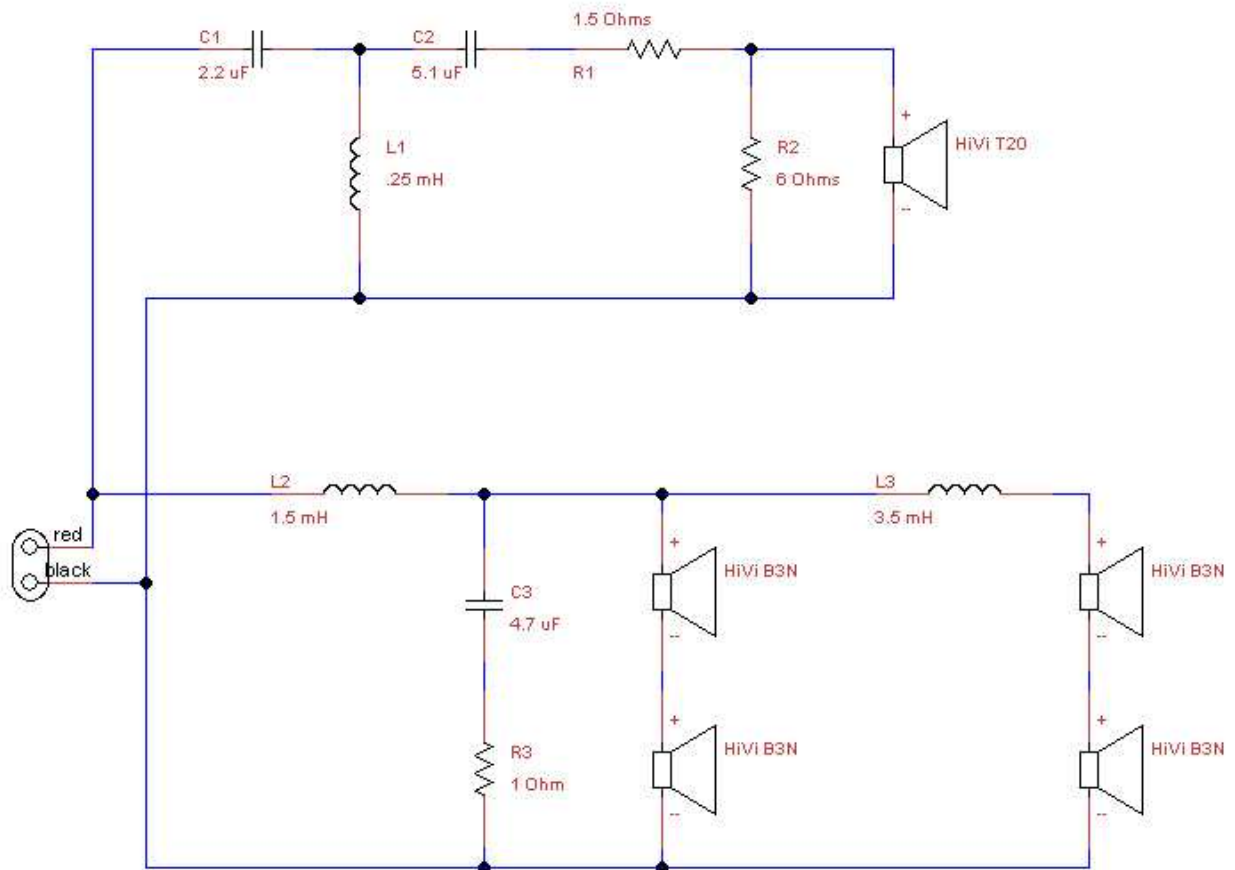
Overnight Sensations Center Channel

First, the center channel is meant to be very thin to compliment a modern flat screen home theater setup. It uses four of the HiVi B3N and the HiVi T20 tweeter. I am exceptionally pleased with how this speaker sounds. I even left it on mono and listened to music through it for a few days just 'cause it could do it. The cabinet is pretty simple, and calls for 1/2" stock

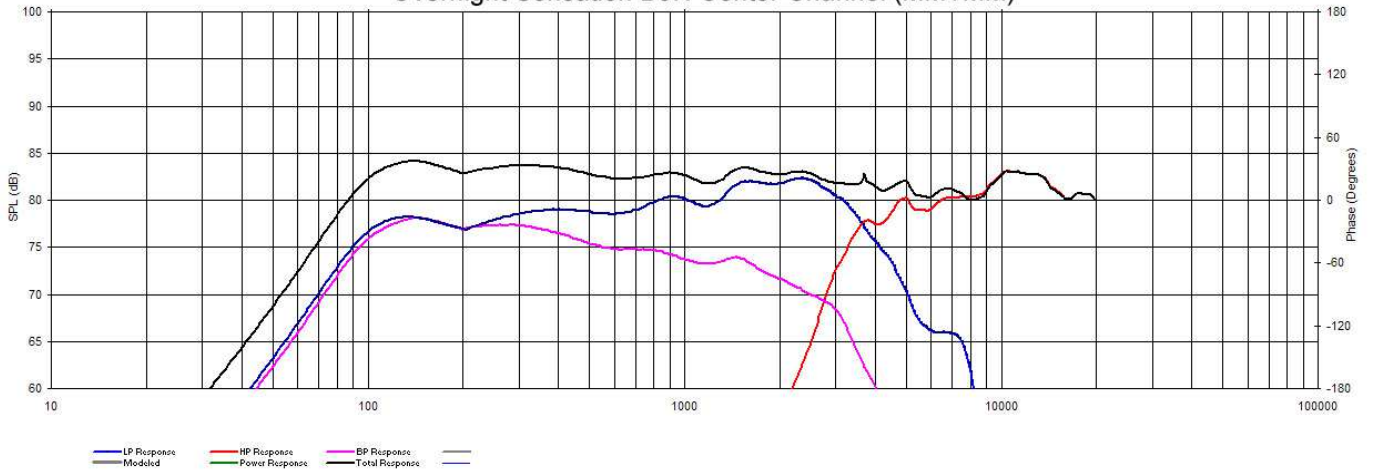


The crossover for the MMTMM is a 2.5-way, which means that the outside woofers only play "bass duty," while the inside woofers play both mids and bass. The crossover is relatively simple. For inductor L3, you can use an iron-core and it should be no problem.

Overnight Sensation B3N Center Channel (MMTMM) by Paul Carmody | 2011



Overnight Sensation B3N Center Channel (MMTMM)



Overnight Sensation B3N Center Channel (MMTMM)

