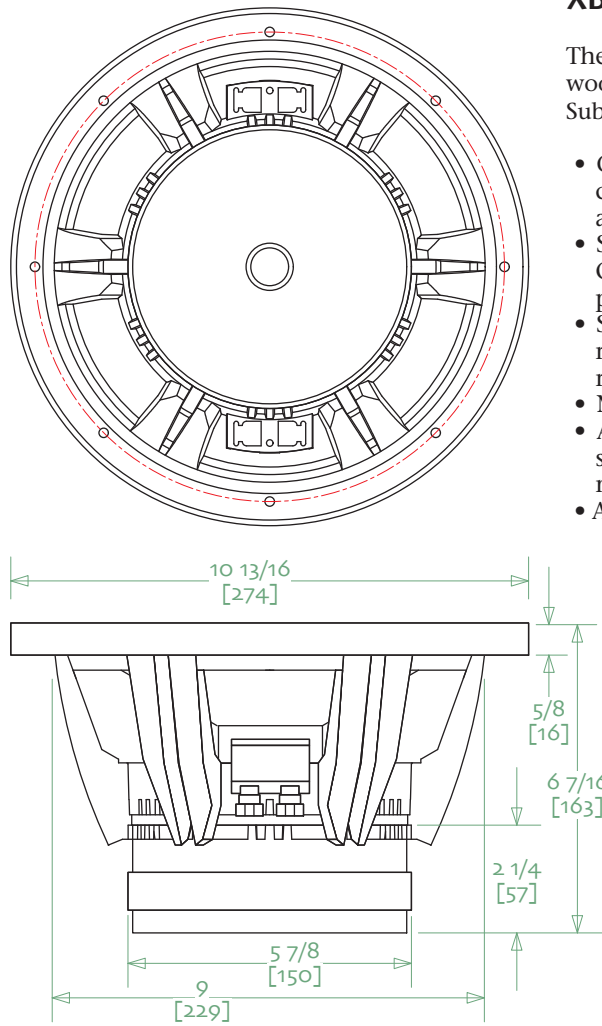


# CREATIVE SOUND SOLUTIONS SDX10 WOOFER

## XBL<sup>2</sup>™ Power 10" Woofer

The SDX10 is the latest XBL<sup>2</sup>™ woofer in the Creative Sound SubDuction lineup.

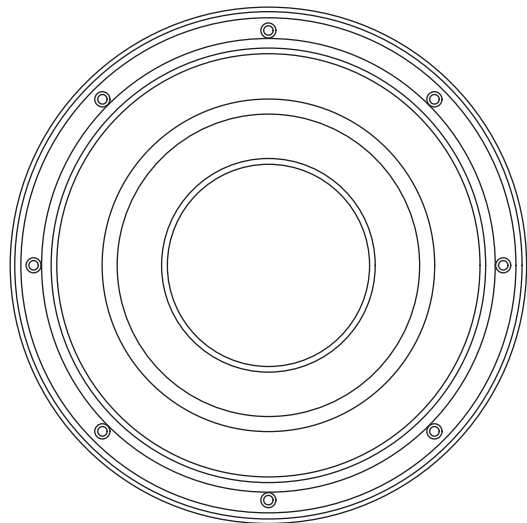
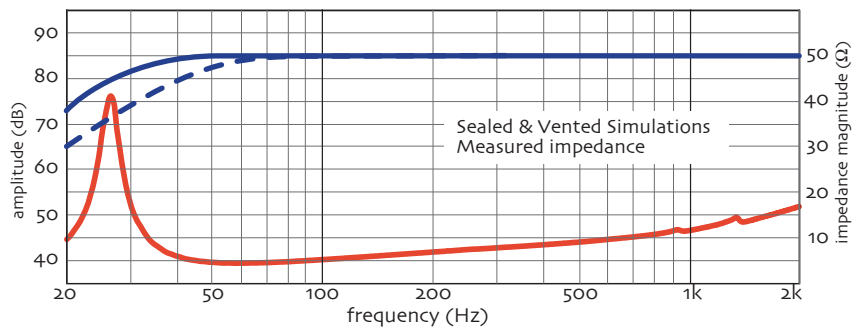
- Cone material is a paper and carbon fiber blend, pressed and surface treated
- Spider is CONEX, 180mm OD flat attach semi-progressive design
- Surround is natural butyl rubber with a 30mm diameter roll
- Magnets are Y30 grade.
- Aluminum and copper shorting rings inside the motor
- All steel is 1010 grade
  - high power, low inductance design based on the patented\* XBL<sup>2</sup>™ motor
  - voice coil – 60.6mm diameter, 6 layer, 186 turns of copper clad aluminum wire, split aluminum former
  - BL curve is very flat; at 12.7mm one way (1 inch peak to peak excursion) there is less than 2.5% THD from the BL curve



### Application Notes:

Vented: 43 liters net volume. Stuff with 16 ounces of polyfill. Then use a 3" flared port, 17" long for 24.5 Hz tuning. Will handle 300W continuous above 20 Hz, and in-room have extension to the 22-23 Hz range. More than 108 dB SPL from 20 Hz and up, in room!

Sealed: 24 liters net stuffed with 16 ounces of polyfill. Qtc of 0.7, F3 of 44 Hz, in-room extension to 30 Hz. Will handle 250W+ above 20 Hz, and provide more than 103 dB SPL from 20 Hz and up, in room.



CSS SDX7 XBL<sup>2</sup>™ Thiele/Small Parameters

$F_s$ (Hz)	26.0	$X_{max}$ (one way)	18.4 mm
$Q_{es}$	0.47	$S_d$ (cm <sup>2</sup> )	330
$Q_{ms}$	4.0	$L_e$	1.42
$Q_{ts}$	0.42	BL	NA 11.8
$V_{as}$ (litres)	53	$M_{ms}$ (g)	112
$R_e$ (Ω)	3.5	SPL (dB@1W 1m)	85.0



44-31255 Upper Maclure Rd  
Abbotsford, BC Canada V2T 5N4  
☎ 604-504-3954

www.creativesound.ca

\*US patent #7,039,213