



Features

11" Bass driver for multiple usage, 3-layer Hexacone Sandwich cone, equipped with a heavy bass-base, reproduction up to the lower mid-range, uncolored sound performance.

11" Tieftöner mit variablem Einsatzbereich, 3-schichtige Hexacone Sandwich-Membrane, verfügt über kraftvolles Bassfundament, hohe Durchzeichnung bis in den unteren Mitteltonbereich, neutrale Klangeigenschaften.

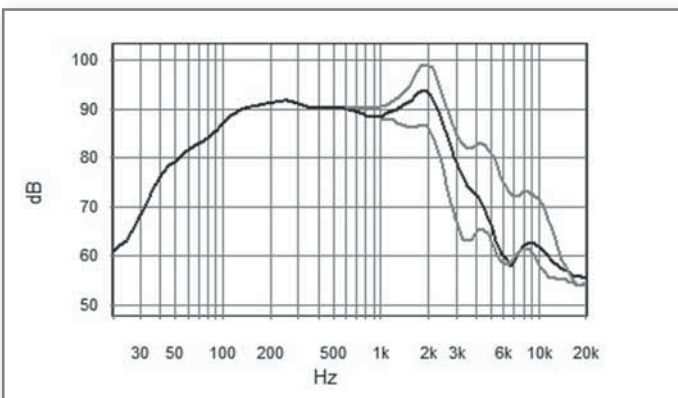
#1.2481.01

Main technical data

Nominal impedance	Z_n	8	Ω
DC resistance	R_e	5.2	Ω
Resonance frequency 1W	f_r	22	Hz
Resonance frequency TSP	f_r	24	Hz
Suspension compliance	C_{MS}	0.71	mm/N
Mechanical Q	Q_{ms}	9.94	
Electrical Q	Q_{es}	0.32	
Total Q	Q_{ts}	0.31	
Mechanical resistance	R_{MS}	1.01	kg/s

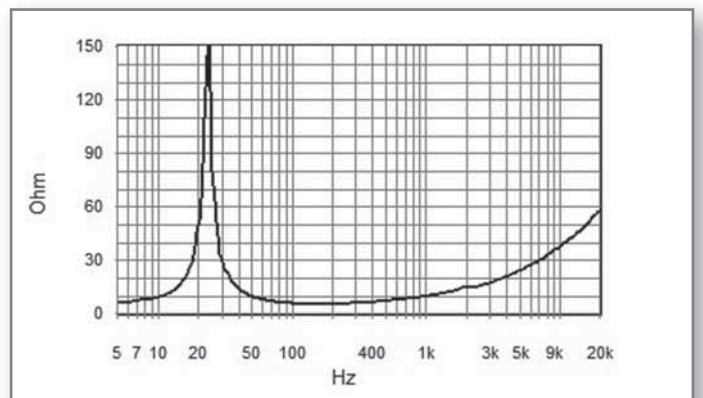
Total moving mass (incl. air mass)	M_{MD}	61.0	g
Effective piston area	S_D	366	cm ²
Voice coil inductance	L_e	1.15	mH
Force factor	$B_L \cdot x_l$	11.6	Tm
Xmax electrical	+/-	5.0	mm
Xmax mechanical	+/-	14.6	mm
Equivalent air vol. of suspension	V_{AS}	134.0	dm ³
Characteristic SPL 1 Watt/1m		91	dB SPL
Rated power		150	W

Frequency response

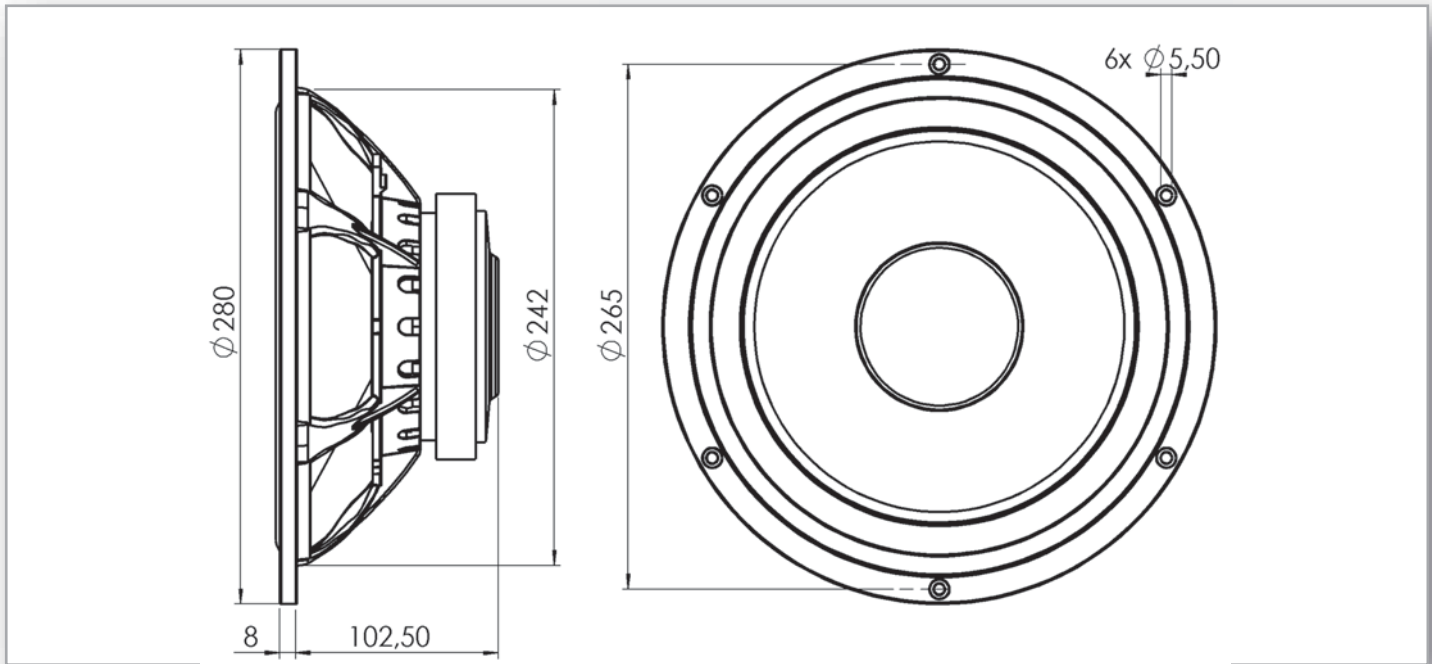


SPL 2,83 V/1m; black 30°, grey 0,60°
Half space; endless baffle; enclosure 700 l

Impedance



Measured free air without baffle



Mechanical data

Overall diameter	280	mm
Cutout diameter	242	mm
Frame depth	8	mm
Overall depth	110.5	mm
Screw holes diameter	5.5/ 9.7	mm
Terminal	4.8/ 6.3	mm
Weight	3.30	kg

Voice coil

Diameter	50	mm
Height	18	mm
Wire material	Cu	
Former material	Kapton	
Layers	2	

Magnet

Flux density	1.06	T
Height of gap	8	mm
Material	Ferrite	
Dimension	134 x 57	mm
Height	20	mm
Motor type	Overhung	
Ferrofluid	no	

Other data

Recommended frequency range	30-1000	Hz
-----------------------------	---------	----