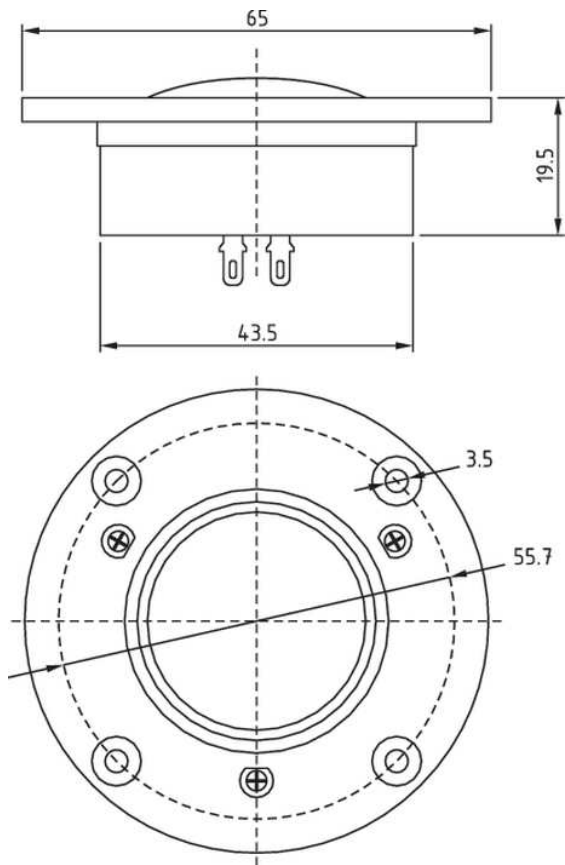




# ND28F-6 1-1/8" Neodymium Dome Tweeter 6 Ohm

ND28F-6



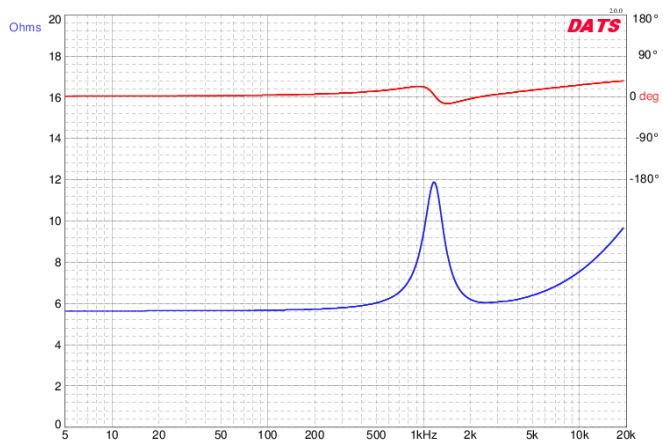
## PARAMETERS

Impedance	6 ohms
Re	5.4 ohms
Le	0.08 mH
Fs	1,097 Hz
Qms	2.16
Qes	2.94
Qts	1.24
Mms	N/A
Cms	N/A
Sd	4.9 cm <sup>2</sup>
Vd	N/A
BL	N/A
Vas	N/A
Xmax	N/A
VC Diameter	25 mm
SPL	88.4 dB @ 1W/1m
RMS Power Handling	30 watts
Usable Frequency Range (Hz)	2,200 - 20,000 Hz

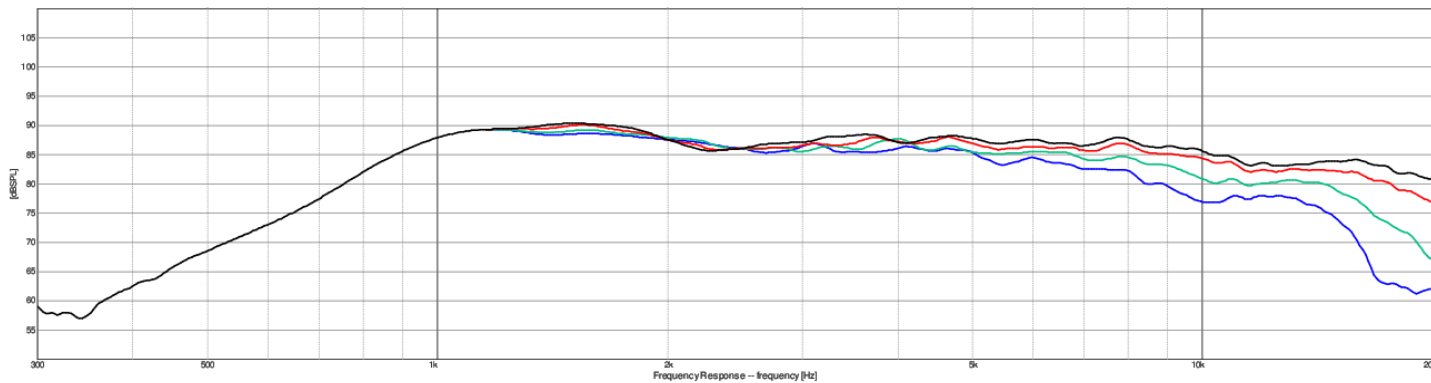
## FEATURES

- Front-mount design
- Center-to-center spacing as low as 2-1/2"
- Great top-end air and sparkle
- Self shielding neodymium motors

## IMPEDANCE/PHASE



## FREQUENCY RESPONSE



Note: 1/24<sup>th</sup> octave smoothing - nearfield response included in graph below 450 Hz.

Black = 0°  
Red = 15°  
Green = 30°  
Blue = 45°